









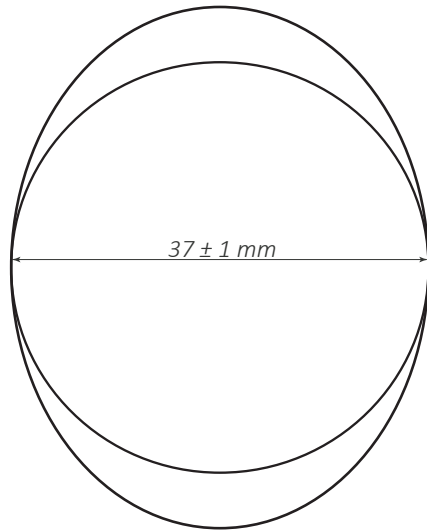
TECHNICAL DATA SHEET



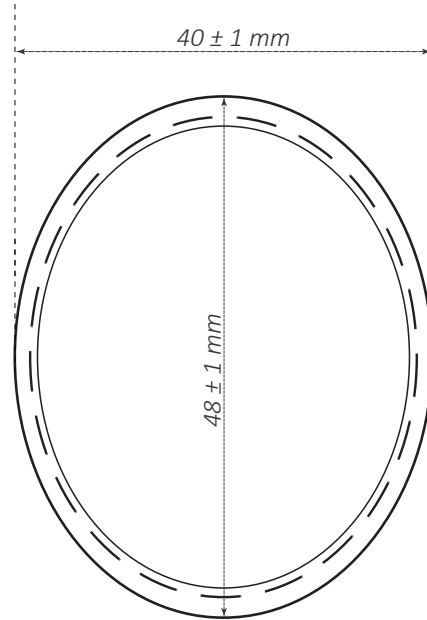
Bianca Rose (Pump Bottle)

	Capacity	30 ml
	Diameter	D1 - 40 mm D2 - 48 mm
	Height (with lid)	101 mm
	Weight	≈ 150g
	Shape	Oval
	Color (bottle)	Baby rose
	Color (pump & lid)	White
	Material (bottle)	Glass
	Material (pump & lid)	Plastic

TECHNICAL DATA SHEET



Top View



Bottom View

